

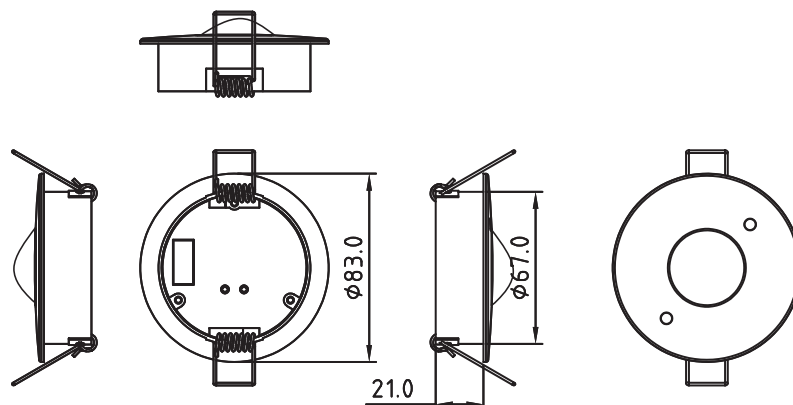
## Features:

- DALI-2 Compliant
- Integrated PIR motion detection (DALI-2 303)
- Inregrated ambient light sensor (DALI-2 304)
- Detection angle : 130° with up to Ø5m coverage at 2.5m height
- Low power consumption (max 6mA DALI bus current draw)
- IP20: Ingress Protection
- 2 year warranty

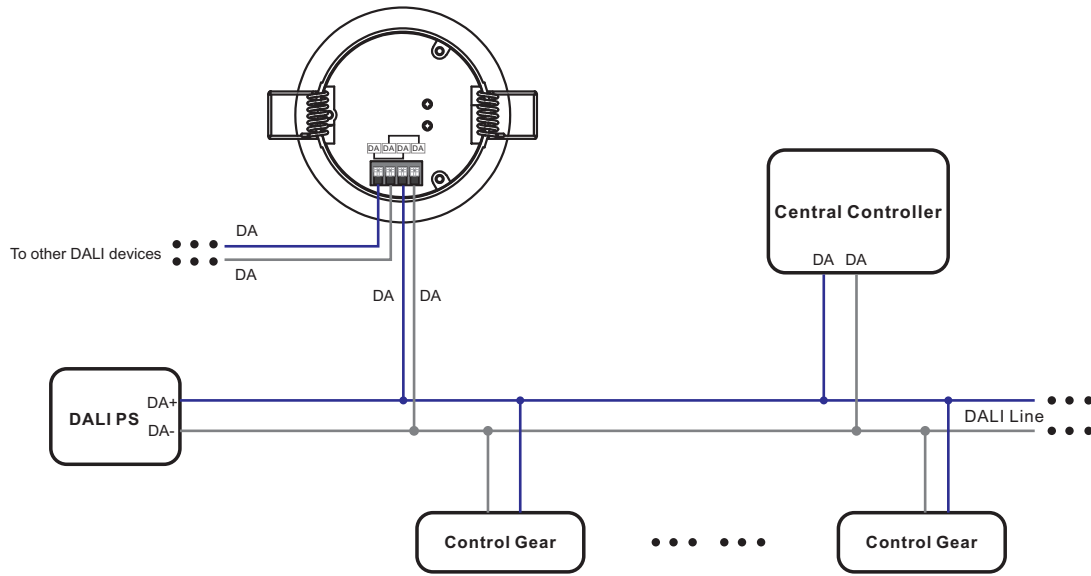


Model		SR-DA9030A-PIR-BUS
Physical Information	Cutting Hole	70~73mm
	Material / Colour	ABS / White
	Wire Gauge	26~16 AWG (0.2 ~ 1.3mm <sup>2</sup> )
	Strip Length	0.28~0.35 in. / 7~9 mm
Electrical Information	Power Supply	DALI Bus
	Max. DALI Current Draw	6mA
	Control	DALI
	Marking Terminals	DA, DA
	Motion Detectoin Indicator	Red (Motion detection)
	DALI Indicator	Green (DALI)
	Motion Detection (62386 - 303)	PIR Sensor
	Light Sensor (62386 - 304)	Event: 0~1000 Lux (10bit), resolution: 10lux
	Mounting Height	Recommended Height : 8ft (2.5m)
Environment	Detection Angle	130°
	Function	Configurable
	Operating Temperature Range	0°C ~ 40°C (Indoor use only)
	Operating Humidity	0~95% (Non condensing)
Others	Safety Certification	cULs Listed, CE
	Waterproof Grade	IP20
	Net. weight	0.22kg
Safety & Warnings	Size	Ø83x67mm (H*D)
	<ul style="list-style-type: none"> <li>• DO NOT Install with power applied to the device</li> <li>• DO NOT expose the device to moisture</li> </ul>	
Notes	<ul style="list-style-type: none"> <li>• PIR motion detection</li> <li>• Motion sensor instance type 3 (303)</li> <li>• Illuminance measurement</li> <li>• Light sensor instance type 4 (304)</li> </ul>	<ul style="list-style-type: none"> <li>• Autonomous sensor-based control</li> <li>• Ceiling recessed installation</li> <li>• 5 years warranty</li> <li>• Waterproof grade: IP20</li> </ul>

## Mechanical Specifications

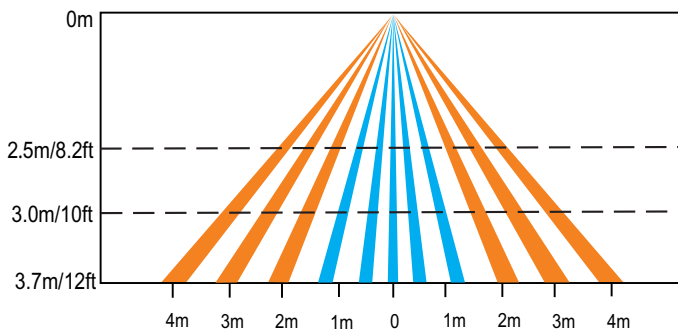


## Wiring Diagram

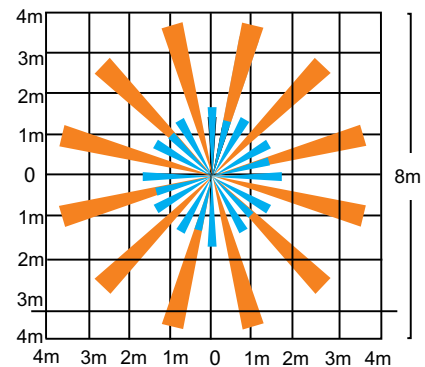


## Detection Area

Coverage Side View



Coverage Top View



The detection area for movement can be roughly divided into two parts:

- Slow movement (person moving  $< 1.0'/s$  or  $0.3m/s$ )
- Quick movement (person moving  $> 1.3'/s$  or  $0.4m/s$ )

**Note:**

- Avoid areas with frequent temperature changes: Keep away from air conditioners, fans, refrigerators, ovens, and other objects that cause rapid temperature changes. The detection effectiveness of PIR motion sensors is closely related to temperature fluctuations, and vents or heat sources can lead to false alarms.
- Avoid areas with significant air flow.
- Avoid facing glass doors and windows directly:
  - 1) Do not face glass doors and windows directly to avoid interference from strong light.
  - 2) Avoid complex environments outside doors and windows, such as direct sunlight, crowds, and moving vehicles.
- Avoid installing opposite large, constantly moving objects: Large objects with significant motion can cause sudden changes in airflow within the detection area, leading to false alarms. Outdoor PIR motion sensors should not be installed opposite large trees or tall bushes.
- Avoid areas with screens, furniture, large potted plants, or other obstacles within the detection range.
- Avoid areas exposed to direct sunlight.