

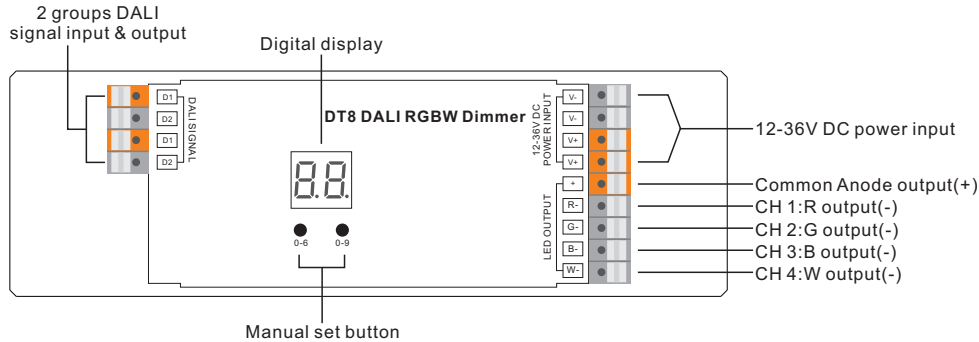
# DALI DT8 RGBW LED Dimmer

09.2309W.04371



**Important:** Read All Instructions Prior to Installation

## Function introduction



## Product Data

No.	Input Voltage	Output Current	Output Power	Remarks	Size(LxWxH)	DALI Consumption	Dimming Range	Ambient Temperature
1	12-36VDC	4x5A	4x(60-180)W	Constant voltage	170x53.4x28mm	2mA	0.1%-100%	-20°C ~ +50°C
2	12-36VDC	4x350mA	4x(4.2-12.6)W	Constant current	170x53.4x28mm	2mA	0.1%-100%	-20°C ~ +50°C
3	12-36VDC	4x700mA	4x(8.4-25.2)W	Constant current	170x53.4x28mm	2mA	0.1%-100%	-20°C ~ +50°C

- Complies to IEC 62386-209:2011
- DALI DT8 device to control Red, Green, Blue and White output via a single DALI address
- 4 Channels constant voltage or constant current output
- Enables Dimming and color Adjustment
- Control of four PWM outputs R, G, B and W via DALI device type 8
- Color control as defined in the DALI specification device type 8
- Color type RGBW or XY coordinates can be preset by factory setting, default is RGBW
- Supports DT8 device commands, compatible with DALI masters that support DT8 commands
- Configuration via DALI master USB interface
- Numeric digital display for setting DALI address manually
- Waterproof grade: Ip20

## Safety & Warnings

- DO NOT install with power applied to device.
- DO NOT expose the device to moisture.

## Operation

### 1. Setting DALI address



- Press and hold down any of the two buttons until numeric digital display flashes, then release the button.
- Click any of the two buttons once to select a digit, click again to change the digit until the desired DALI

address appears. Click first button to set "tens" position and second button to set "units" position. The address can be set from 00~63.

- Then press and hold down any of the 2 buttons until the numeric digital display stops flashing to confirm the setting.

**Note:** DALI address can be manually assigned from 00-63-FF, by factory defaults, no DALI address is assigned for the dimmer, and the display shows **FF**. Setting DALI address as **FF** will reset the dimmer to factory defaults.

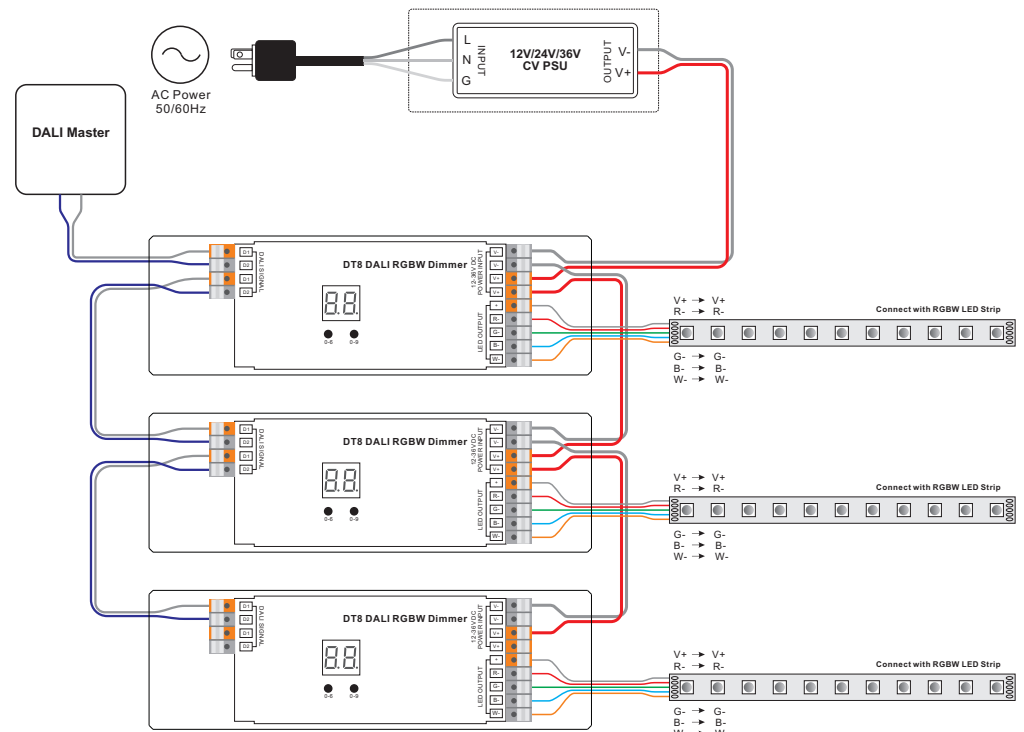
**2.** Once an address is selected, all four channels' address will be the same. For example, if the dimmer is addressed to 22 on the display then CH1, CH2, CH3, CH4 will be the same address 22.

### 3. DALI Address Assigned by DALI Masters

DALI address can also be assigned by DALI Master controller automatically, please refer to user manuals of compatible DALI Masters for specific operations.

**Note:** The digital display will show **AU** When the DALI master is assigning addresses.

## Wiring Diagram



- Note:**
- DT8 color type of the dimmer can be RGBW or XY coordinates, which can be preset by factory setting.
  - For color type XY coordinates, the 4th W channel can only be controlled together with RGB channels.
  - Only when the coordinate point at the area where R, G, B three colors mix color will W channel turn on.
  - W channel intensity will go up only as R, G, B three colors' intensity goes up simultaneously.
  - W channel intensity will go down only as R, G, B three colors' intensity goes down simultaneously.
  - If controlled by XY type touch panel, use W button on the panel to mix RGB thus turn on 4th channel W.

### Conformity & Standards

- Radio Frequency Interference according to EN 55015:2013/A1:2015
- Immunity standard according to EN 61547:2009
- TÜV SÜD marked, CE marked

### Product Dimension

