

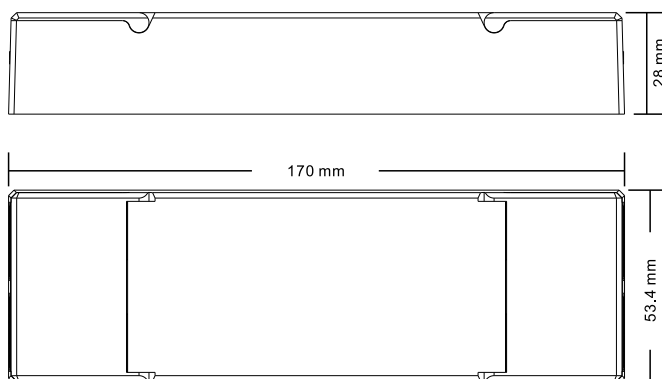
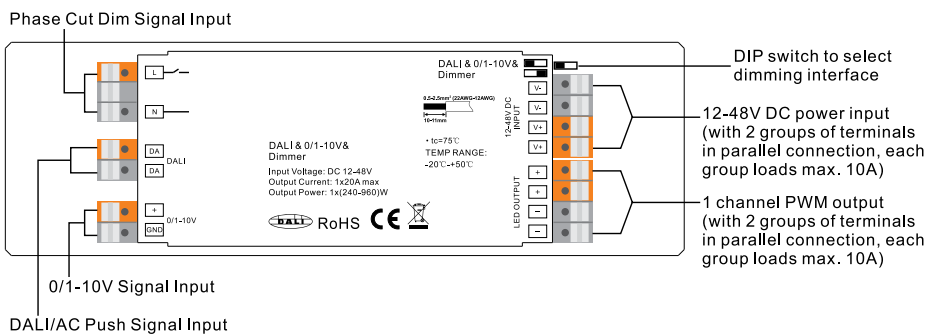
Features:

- Constant Voltage with PWM Output
- DC Input/Output range: 12 ~ 48V
- DALI-2 DT6 Compatible
- 0/1-10V Dimming
- IP20 : Ingress Protection rating
- 2 year warranty



Model	SR-2303P (4 in 1)	
Product Data	Output Voltage	12 ~ 48VDC PWM (equal to input voltage)
	Output Current	1x20A Max
	Output Power	240 ~ 960W
	Input Voltage	12~48VDC
	Remarks	Constant Voltage
	Dimming Input	DALI and 0/1-10V
	DALI Consumption	2mA
	Dimming Range	0.1%-100%
	Ambient Temperature	-20°C ~ +50°C
	Size	170*53.4*28mm (L*W*H)
Safety & Warnings	<ul style="list-style-type: none"> • DO NOT select dimming input with power applied to the device • DO NOT install with power applied to device • DO NOT expose the device to moisture 	
Notes	<ul style="list-style-type: none"> • Multifunction 4 in 1 LED Dimmer, with DALI, AC Push, 0/1-10V and Phase cut dimming interfaces • Built-in DALI-2 interface, DALI DT6 device • Match all DALI systems in the market • Dip switch to select different dimming interfaces • 1 channel 12-48VDC output, max. 20A 	<ul style="list-style-type: none"> • Supports both leading edge and trailing edge dimming input • 1 DALI address assigned by DALI master • Compatible with universal phase cut dimmers • To work with power repeater to expand output power unlimitedly • Ingress protection rating : IP20

Wiring Diagram



- Input (12-48VDC): 4 pole terminal block: 2x Positive (V+), 2x Negative (V-).
- Output: 4 pole terminal block: 2x Positive (LED+), 2x Negative (LED-).
- DALI or PUSH Dim: 2 pole terminal block: DALI lines are not polarised.
- 0/1-10 Dim: 2 pole terminal block: Positive(+), Negative(GND)
- Phase Dim: 2 pole terminal block: Live(L), Neutral(N)
- Suggested wire diameter: Input/Output: 0.5-2.5mm