



Features:

- Constant Voltage PWM Output (20kHz)
- AC Input Range: 200~240VAC with PFC
- Protections: Short Circuit/Over Load/Over temperature
- Class I Power Supply
- IP66 Design for Outdoor installation
- Cooling by Free Air convection
- Compatible with most Leading and Trailing edge dimmers
- Factory fitted flex and AU Plug
- 5 year warranty

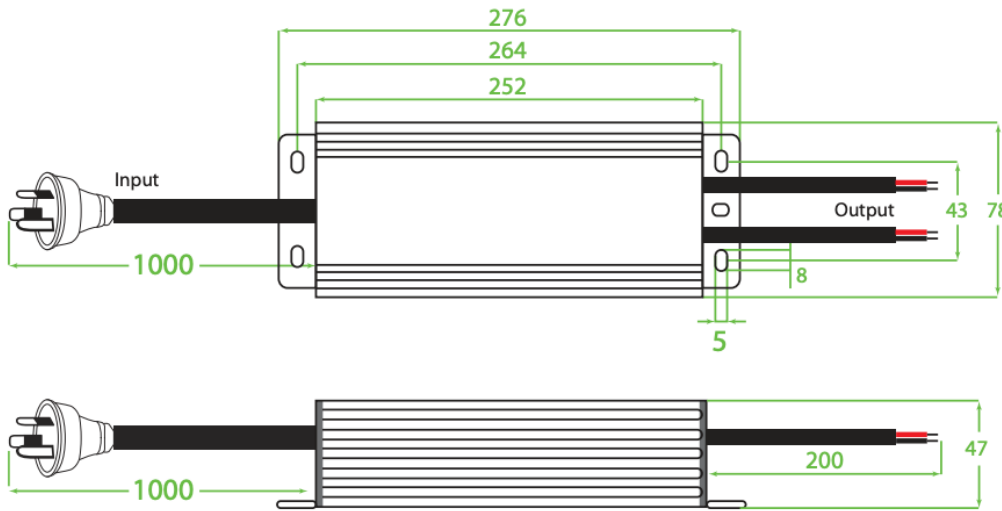
   IP66 SELV

Model		PDV-320-12
Output	DC Voltage (V)	12V
	Output Frequency	20Hz
	Voltage Tolerance	±0.5V (See Note 2.)
	Rated Current	26.6A
	Rated Power	320W
Input	Voltage Range	200~240VAC
	Frequency Range	47~63Hz
	Power Factor	PF≥ 0.97/200VAC PF≥0.97/230VAC PF≥0.97/240VAC (Full loading)
	Efficiency	89%
	AC Current (Max.)	2.2A
	Leakage Current	<0.5mA
	Inrush Current (Max.)	102A, 390us@50%lpeak
Protection	MAX No. of drivers on a 16A circuit breaker	1 unit (circuit breaker of type B) / 2 units (circuit breaker of type C) at 230VAC
	Short Circuit	Hiccup mode, re-power on to recover after fault condition removed
Environment	Over Load	≤120% Hiccup mode, recovers automatically after fault condition is removed
	Over Temperature	Shell surface temp. 100°C± 10°C shut down o/p voltage, automatically recovers after the temperature drops
	Working Temp.	-40 ~ +60°C (refer to de-rating curve)
Safety & EMC	Working humidity	20~95%RH, non-condensing
	Storage TEMP, humidity	-40~+80°C, 10~95%RH
	TEMP. coefficient	±0.03%/°C (0~50°C)
	Vibration	10~500Hz, 5G 12min./1 cycle, period for 72min, each along X, Y, Z axes
Others	Safety Standards	EN61347-1 EN61347-2-13
	Withstand voltage	I/P-O/P: 3.75KVAC I/P-FG:1.5KVAC O/P-FG:0.5KVAC
	Isolation resistance	I/P-O/P: 100MQ/500VDC/25°C/70%RH
	EMC emissions (Note 3.)	EN55015, EN61000-3-2-3, EN61000-3-3 & AS CISPR 15:2017 CISPR 16-2-3
Notes	EMC Immunity	EN61000-4,2,3,4,5,6,11, EN61547
	Net. Weight	1.8KG
	Size	276*78*47mm (L*W*H)
Notes	Packing	390*310*185mm outside carton 10PCS/CTN
	<ol style="list-style-type: none"> 1. All parameters NOT specially mentioned are measured at 230VAC input, rated load and 25°C of ambient temperature. 2. Tolerance: Includes set up tolerance and load regulation. 3. The power supply is considered as a component that is operated in combination with final equipment. EMC performance could be affected by the complete installation. Original equipment manufacturers may need to conduct additional EMC testing and certification on the final equipment. 4. Loading range from 10% to 100% 5. Specifications are subject to change without prior notice. Contact ADM Systems to confirm any critical parameters. 	

Dimming

- Dimming is with installing a leading edge, or trailing edge dimmer across the AC input.
- Compatible with most leading edge and trailing edge dimmers. Australian compatibility table available on request.
- It is recommended that a dimmer, with a power rating three times higher than that of the rated output of the LED driver is used.

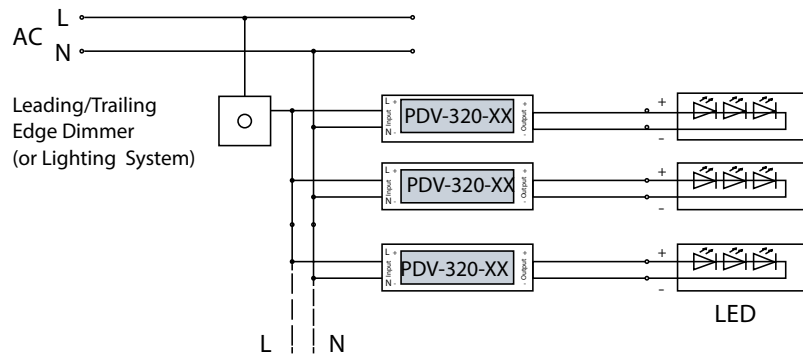
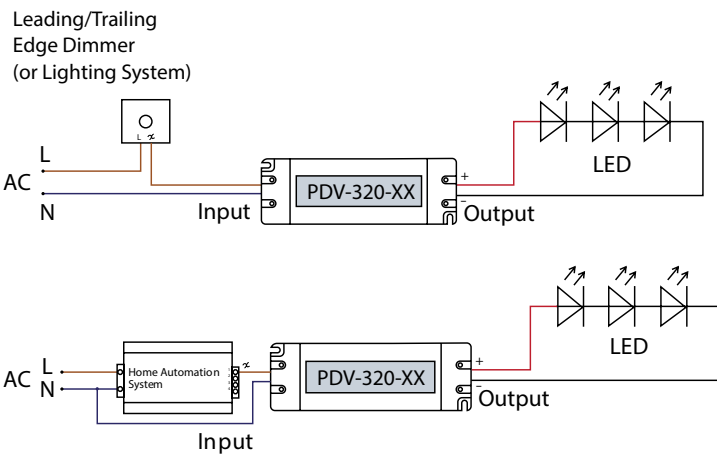
Mechanical Specification



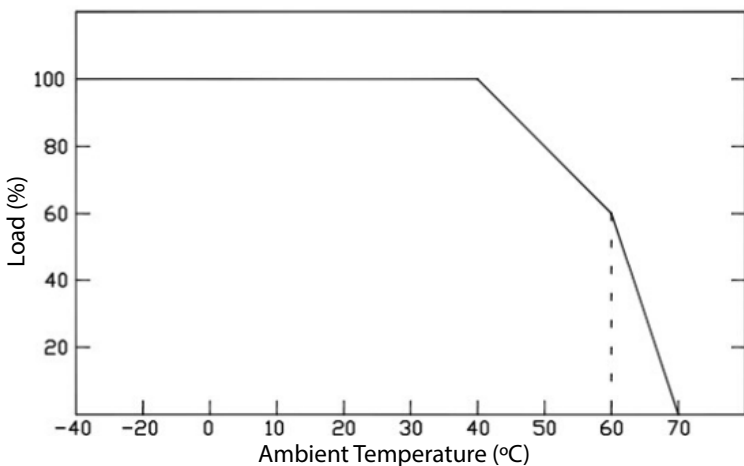
- Output cable type: Rubber SJTW 14AWG 2*2.08mm²
- Connect LED to LED driver via the output cable: Red output (V+) positive, Black output (V-) negative.
- Incorrect wiring could result in damage to LED Driver, which is not covered by the warranty.
- Contact your supplier with specific input, or output configuration requests.

Single Driver Connection Diagram

Multiple Drivers Connection Diagram



De-rating Curve



- If being used in higher ambient temperatures, ensure the load on the LED driver is de-rated in accordance with this chart. Failure to do so could lead to a premature failure, which is not covered by the warranty.

- 1) This LED driver should be installed by a qualified electrician.
- 2) Please make sure the LED driver is installed with adequate ventilation around it to allow for heat dissipation.
- 3) Ensure that all wiring is correct before testing in order to avoid damage to the LED driver, or the LEDs.