

POWER SOURCE



**5 YEAR
WARRANTY**

150W **DALI-2** **Slimline** **LED Driver** with PWM Output

Features of the: LD2VT-150 Series



Constant
Voltage PWM
Output



IP20 Design
For Indoor
Installation



AC Input Range:
200-240VAC
with PFC



Cooling by
Free Air
Convection



Protections:
• Short Circuit
• Over Load
• Over Temperature



High
Efficiency



Class II
Power Supply



DALI Protocol
IEC 62386



CE      IP20 SELV CB

Model		LD2VT-150-12	LD2VT-150-24
Output	DC voltage	12V	24V
	Voltage tolerance	±0.2V (see Note 2.)	
	Rated current	12.5A	6.25A
	Rated power	150W	
Input	Voltage range	110-277VAC	
	Frequency range	47-63HZ	
	Power factor	0.96 @ 230VAC	
	Full load efficiency (Typ.)	92%	93%
	AC current (Max.)	1.7A	1.7A
	Leakage current	<0.50mA	
	Inrush current	73.6A (twidh=83.3us) @230VAC	
	MAX. No. of drivers on 16A circuit breaker	4 units (circuit breaker of type B) / 6 units (circuit breaker of type C) at 230VAC	
Protection	Short circuit	Hiccup mode, re-power on to recover after fault condition removed	
	Over loading (Note 4.)	≤ 120% Hiccup mode, recovers automatically after fault condition is removed or shut down o/p voltage, re-power on to recover after fault condition removed	
	Over temperature (Note 6.)	50°C± 10°C shut down O/P voltage, automatically recovers after cooling	
Environment	Working TEMP.	-30~+70°C (refer to de-rating curve)	
	Working humidity	20~90%RH, non-condensing	
	Storage TEMP., humidity	-40~+80°C, 10-95%RH	
	TEMP. coefficient	±0.03%/°C (0~50°C)	
	Vibration	10-500Hz, 5G 10min./1 cycle, period for 60min, each along X, Y, Z axes	
Safety & EMC	Safety standards	EN61347-1 EN61347-2-13 UL8750	
	Withstand voltage	I/P-O/P:3.75KVAC	
	Isolation resistance	I/P-O/P:100M Ohms/500VDC/25°C/70%RH	
	EMC emissions (Note 3.)	Compliance to EN55015, EN61000-3-2	
	EMC immunity	EN61000-4-2,3,4,5,6 ,11, EN61547, light industry	
Others	Net. weight	0.5kg	
	Size	367.8*30*22.5mm (L*W*D)	
	Packing	20PCS/CTN	
Notes	<ol style="list-style-type: none"> All parameters NOT specially mentioned are measured at 230VAC input, rated load and 25°C of ambient temperature. Tolerance: Includes set up tolerance, line regulation and load regulation. The LED driver is considered as a component that is operated in conjunction with final equipment. EMC performance could be affected by the complete installation. Original equipment manufacturers may need to conduct additional EMC testing and certification on the final equipment. Loading range from 10% to 100%. Specifications are subject to change without prior notice. Contact your supplier to confirm any critical parameters. Reading taken at tc point marked on product label. 		

Input & Output Terminals

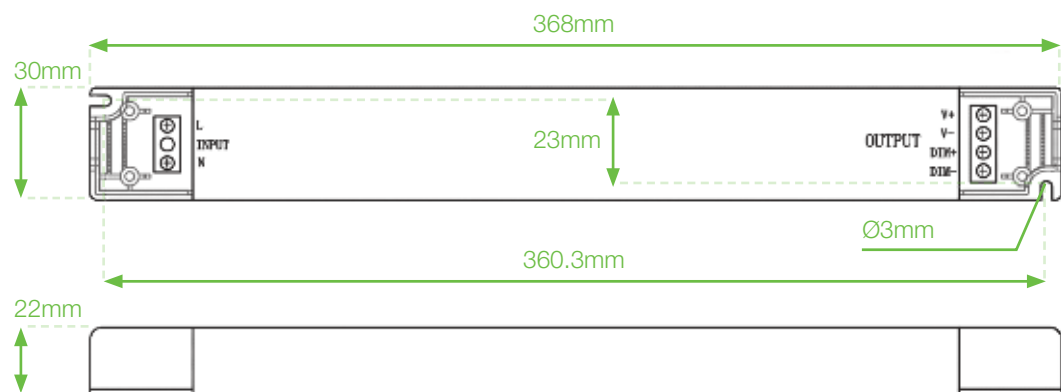
Mechanical Specification

Input Terminals:
Suggested input wire size:
0.75mm² - 2.5mm²

Output Terminals:
Suggested output wire size:
0.5mm² - 2.5mm²

Dimming Terminals:
DIM (+) to 0/1-10V dimmer signal (+),
DIM (-) to 0/1-10V dimmer signal (-)
Suggested dimming wire size:
0.5mm² - 2.5mm²

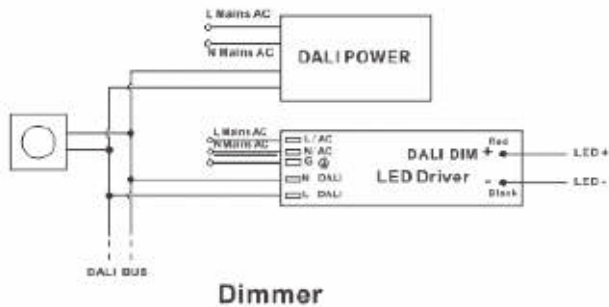
Incorrect wiring could result in damage to the power supply, which is not covered by the warranty.



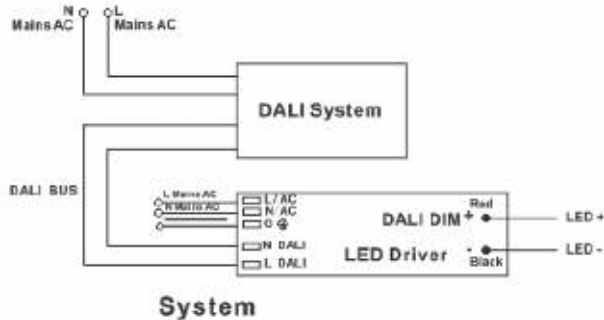
Dimming Operation

Single Driver Connection Diagram

DALI Dimming Wiring Diagram1

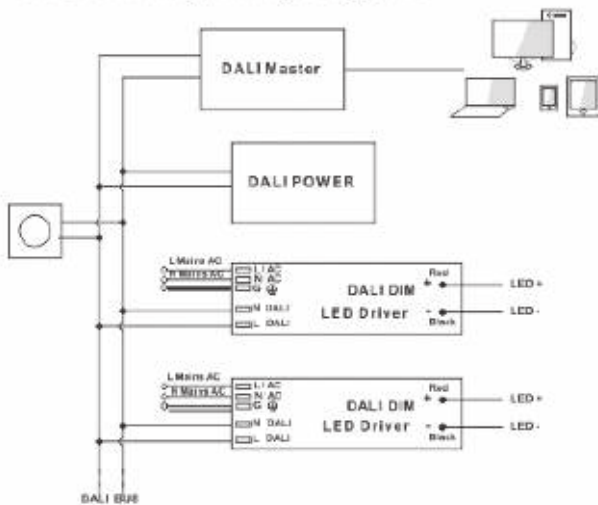


DALI Dimming Wiring Diagram2

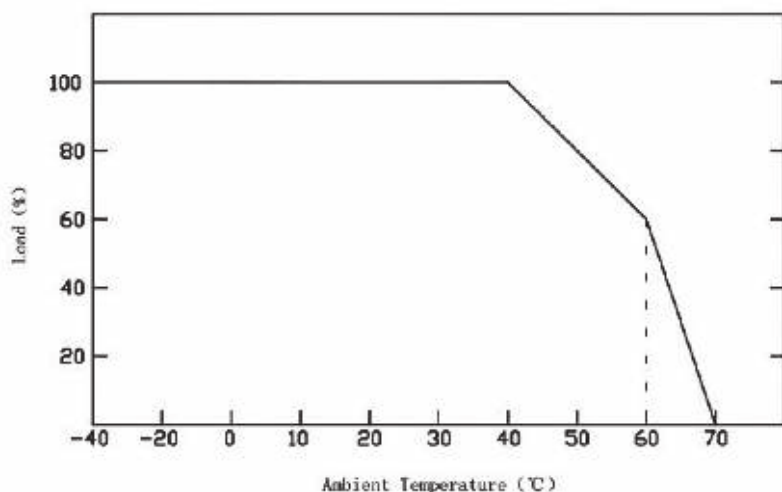


Multiple Drivers Connection Diagram

DALI Dimming Wiring Diagram3



De-Rating Curve



- If being used in higher ambient temperatures, ensure the load on the LED driver is de-rated in accordance with this chart. Failure to do so could lead to a premature failure, which is not covered by the warranty.

Important

- 1) Refer to Power Source Installation Manual.
- 2) Do Not Cover.
- 3) This LED driver should be installed by a qualified electrician.
- 4) Please make sure the LED driver is installed with adequate ventilation around it to allow for heat dissipation.
- 5) Ensure that all wiring is correct before testing in order to avoid damage to the LED driver, or the LEDs.

