

# POWER SOURCE



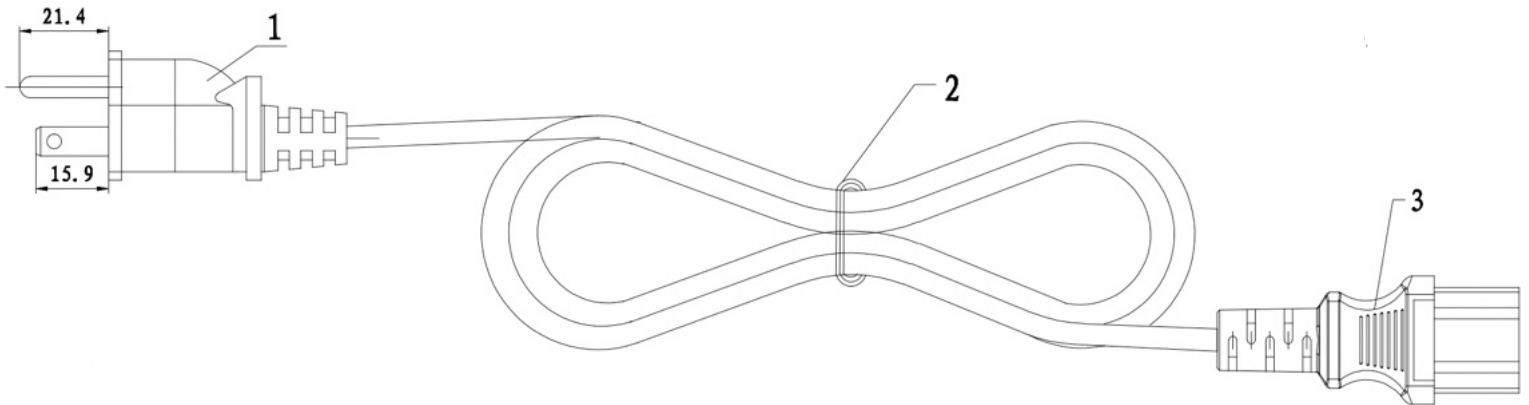
## PLAC-3PUSA-C13IEC-1500

USA 3 Pin 10A, AC Power Cord to IEC-C13 Plug

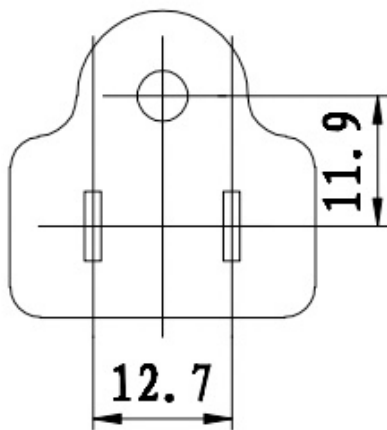
RCM Approved for Australian Market

**1 YEAR  
WARRANTY**

Rating	10A	300V	Colour	Black
Conductor size	0.824mm <sup>2</sup>		Warranty	1 Year
Outside Diameter	7.9MM±0.2MM		Connector A	USA Mains plug
Withstand Voltage	2.0KV/1MIN		Connector B	IEC-C13
Standard	UL62		Length	1.5m



**Connector A**



**Connector B**

