

POWER SOURCE



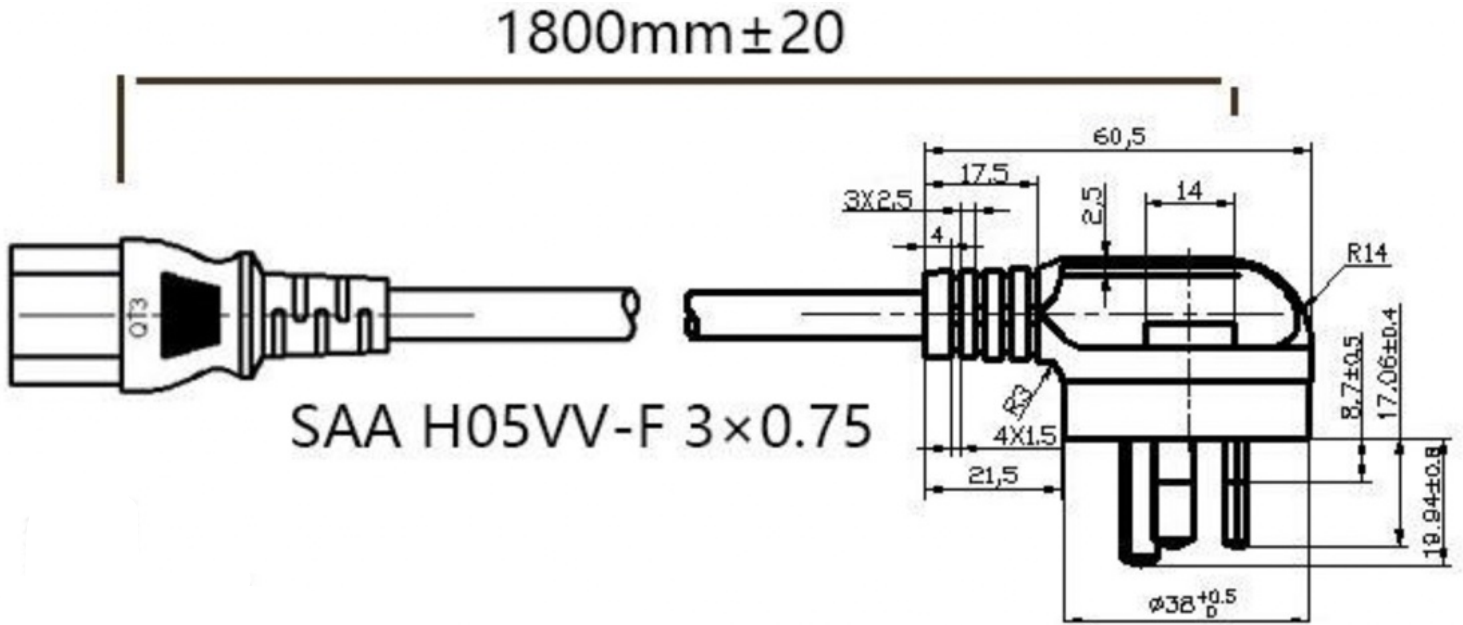
PLAC-3PAURA-C13IEC-1800

AUS 3 Pin 10A, Right Angled AC Power Cord
to IEC-C13 Plug
RCM Approved for Australian Market

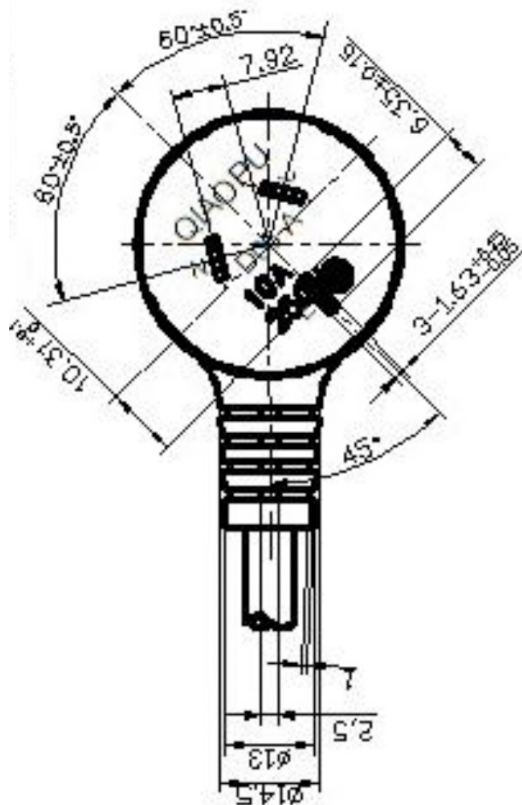


**1 YEAR
WARRANTY**

Rating	10A	220-250V	Colour	Black
Conductor size	0.75mm ²		Warranty	1 Year
Outside Diameter	6.55MM±0.2MM		Connector A	AUS RA Mains plug
Withstand Voltage	2.0KV/1MIN		Connector B	IEC-C13
Standard	AS/NZ3112		Length	1.8m



Connector A



Connector B

