

POWER SOURCE



PLAC-3PAU-WCC16-1800

AUS 3 Pin 10A, AC Power Cord to WCC16

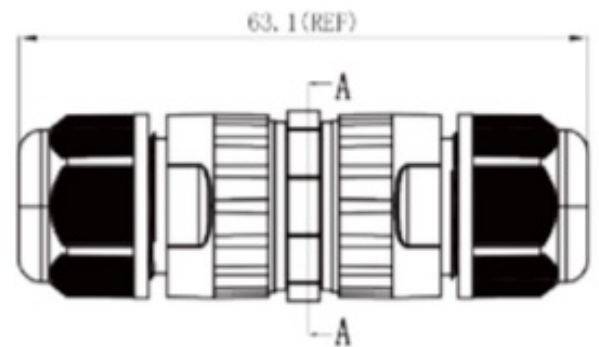
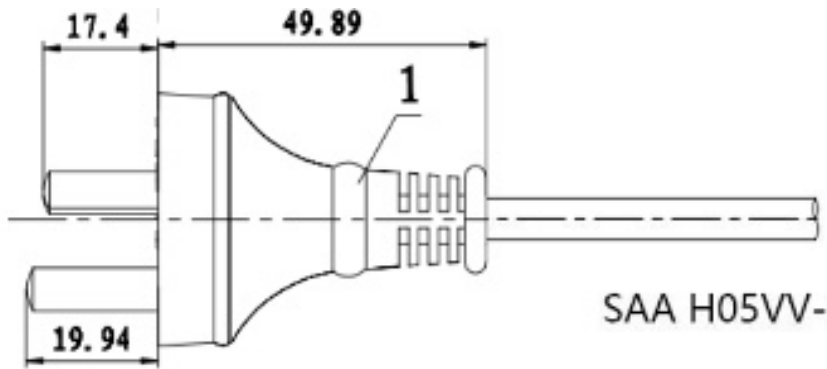
RCM Approved for Australian Market



**1 YEAR
WARRANTY**

Rating	10A	220-250V	Colour	Black
Conductor size	0.75mm ²		Warranty	1 Year
Outside Diameter	6.55MM±0.2MM		Connector A	AUS Mains plug
Withstand Voltage	2.0KV/1MIN		Connector B	WCC16-3
Standard	AS/NZS3112		Length	1.8m

Design



Connector A

Connector B

