

# POWER SOURCE



## PLAC-2PEUR-C13IEC-1500

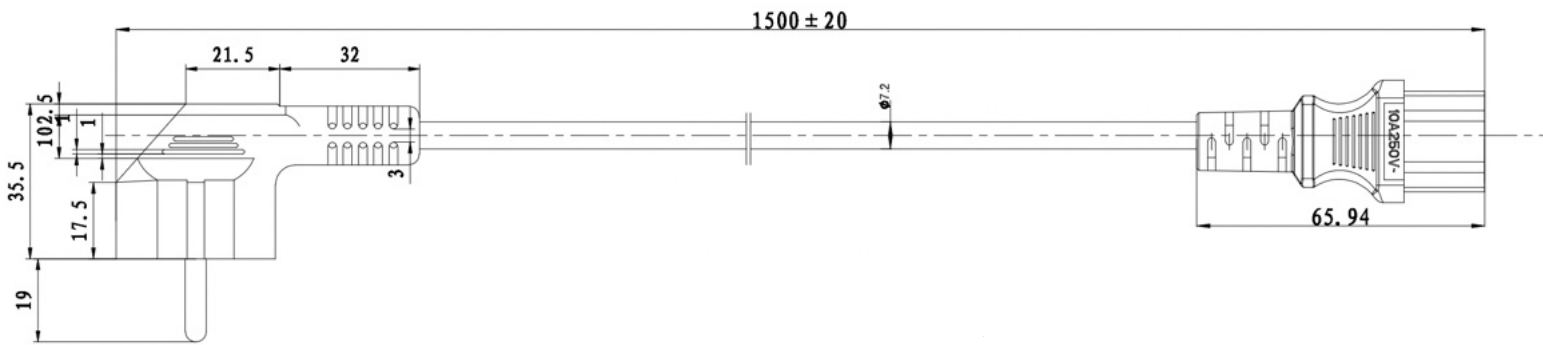
EURO 3 Pin 10A, AC Power Cord to IEC-C13 Plug

RCM Approved for Australian Market

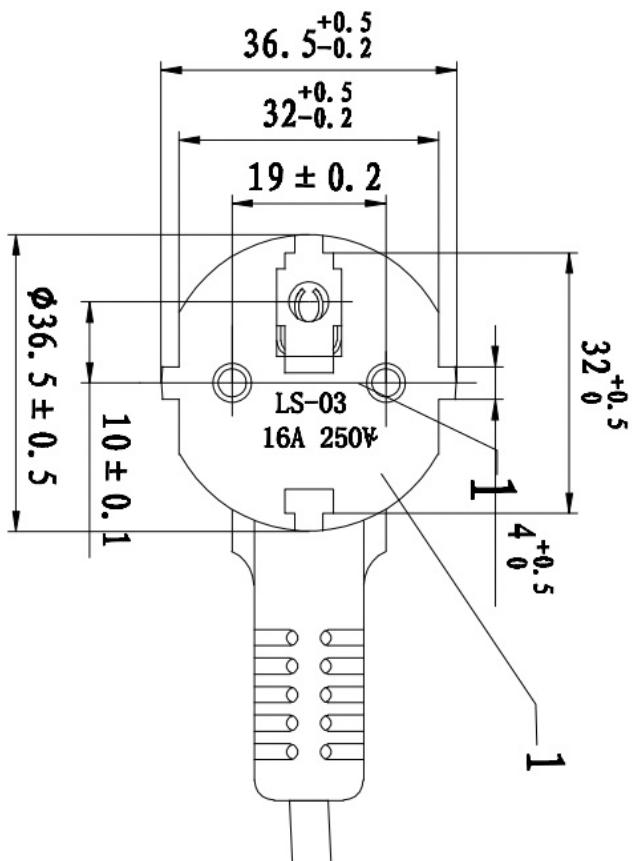
**1 YEAR  
WARRANTY**

Rating	10A	220-250V	Colour	Black
Conductor size	1.0mm <sup>2</sup>		Warranty	1 Year
Outside Diameter	7.2MM±0.2MM		Connector A	EURO Mains plug
Withstand Voltage	2.0KV/1MIN		Connector B	IEC-C13
			Length	1.5m

# Design



**Connector A**



**Connector B**

