

Product features

- Bluetooth-controlled Casambi-enabled
- Wide voltage 100...277 Vac input
- One-Channel 0-10V / DALI 2 controller
- 12...24 Vdc input for a motion sensor
- Button push dimming
- Utilizes bluetooth mesh technology for reliable and secure wireless communication
- 5 year warranty



Electrical specifications

Mains voltage supply

Rated input voltage range	100...277 Vac
Max. Input current	0.05 A @ 100 Vac
RF transmit power	+ 8 dBm
Wireless frequency	2.4 GHz
Wireless range (open air)	50 m

Control output

Output voltage 0-10V	0...10 Vdc
Max 0-10V sinking current	50 mA
Output voltage DALI	14...16 Vdc
Output current DALI	20 mA

Environmental specifications

Operating temperature	-20...+65°C
Storage temperature	-25...+85°C
Working humidity	0%...80%
Store humidity	0%...95%
Lifetime	at Tc 75°C: 50,000 hrs @ 100 Vac
Maximum Tc temperature	75°C
Lifetime rating	50,000 hrs
Moisture and dust rating	IP20

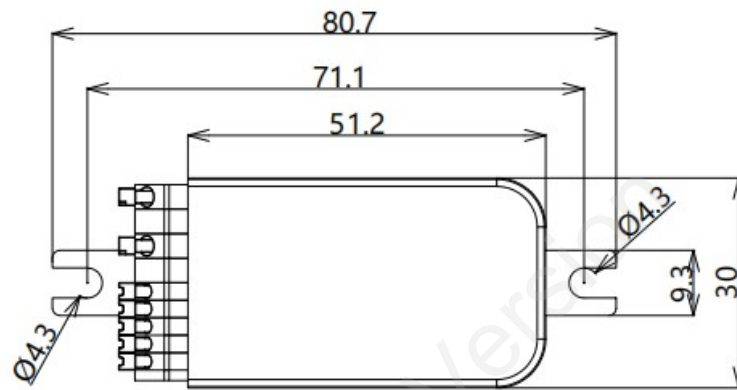
Dimensions

Housing dimensions

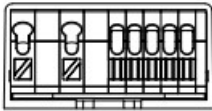
Length (L)	80.7 mm
Width (W)	30 mm
Height (H)	15 mm
Weight	0.022 kg

Packaging details

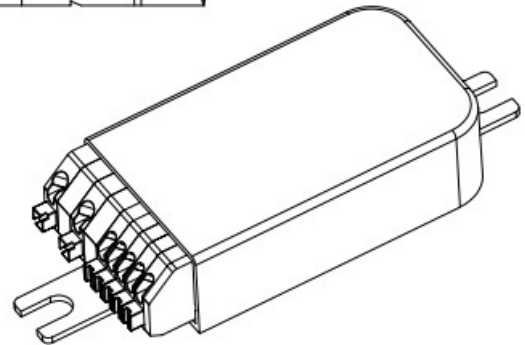
Packing Units	72 pcs.
Carton Size	193 × 172 × 111 mm
Weight	1.9 kg



Ratio 1,000



unit: mm
tol: ±0.2 mm



Applicable wiring diagram

