

Product features

- Integrated wireless module for wireless ecosystem
- 4 way button interface for controlling wireless-capable devices within wireless networks
- Wide voltage 100...277 Vac input
- Suitable for installation in a flush-mounted box
- 5 year warranty



Electrical specifications

Mains voltage supply

Rated input voltage range	100...277 Vac
Max. input current	0.05 A @ 100 Vac
RF transmit power	+ 8 dBm
Wireless frequency	2.4 GHz
Wireless range (open air)	50 m

Environmental specifications

Operating temperature	-20...+55°C
Storage temperature	-25...+85°C
Working humidity	0%...80%
Store humidity	0%...95%
Lifetime	at Tc 65°C: 50,000 hrs @ 100 Vac
Maximum Tc temperature	65°C
Lifetime Rating	50,000 hrs
Moisture and Dust Rating	IP20

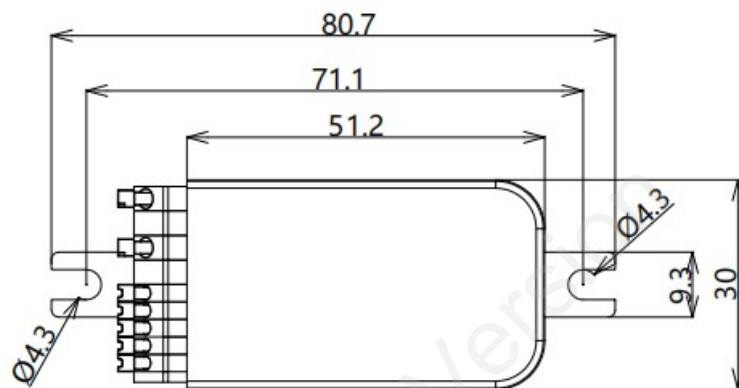
Dimensions

Housing dimensions

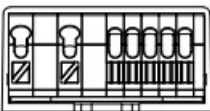
Length (L)	80.7 mm
Width (W)	30 mm
Height (H)	15 mm
Weight	0.022 kg

Packaging details

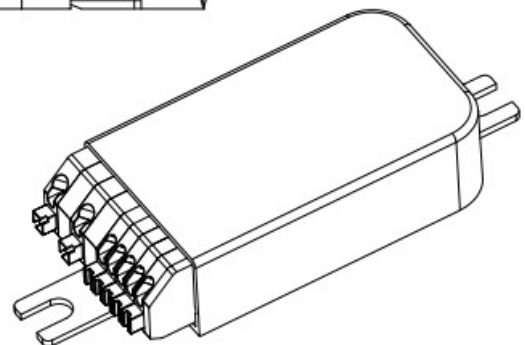
Packing Units	72 pcs.
Carton Size	193 × 172 × 111 mm
Weight	1.9 kg



Ratio 1,000



unit: mm
tol: ±0.2 mm

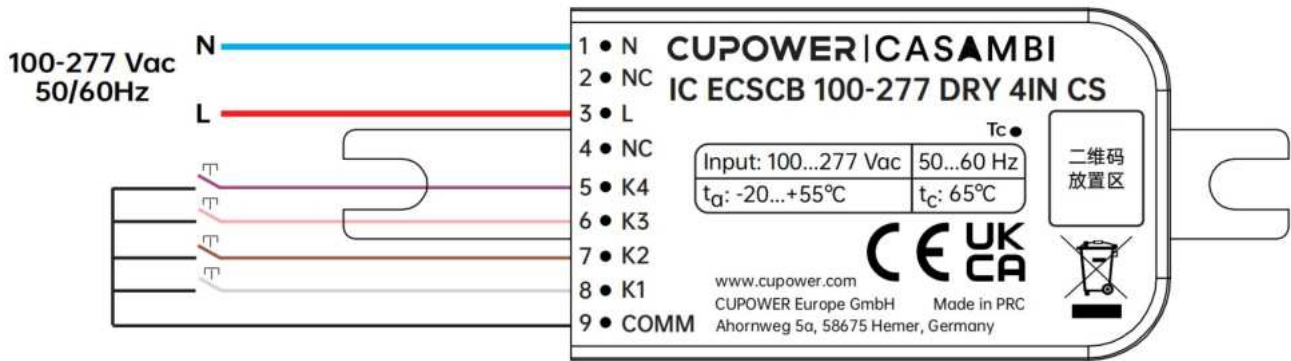


CUPOWER

IC ECSCB 100-277 DRY 4IN CS

Art. 166770

Applicable wiring diagram



Preliminary Version