



- Features :
  - Universal AC input / Full range
  - Built-in active PFC function, PF>0.94
  - Protections: Short circuit / Overload / Over voltage
  - Forced air cooling by built-in DC fan
  - Fixed switching frequency at 100KHz
  - 3 years warranty

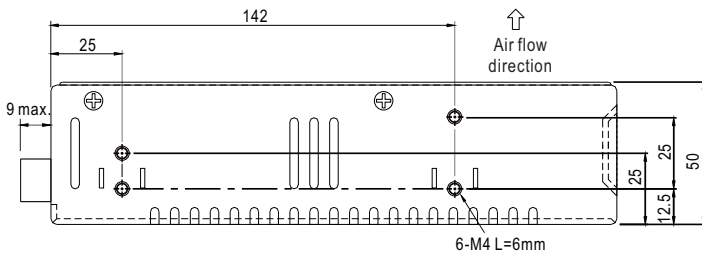
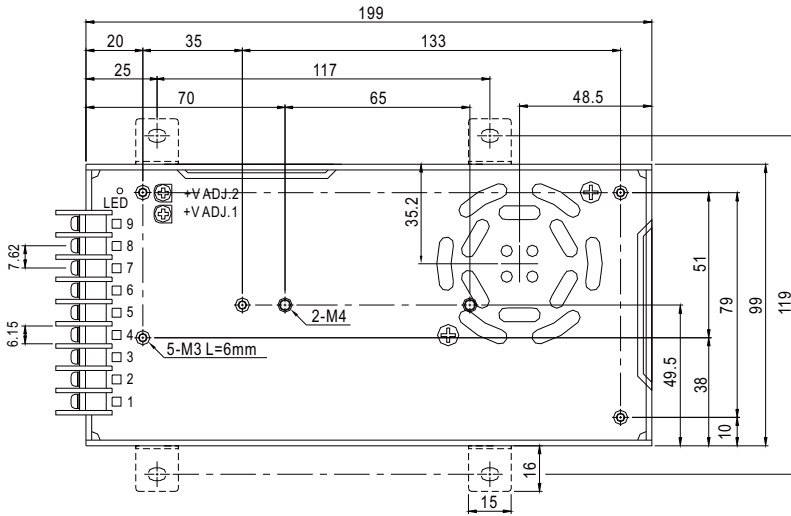


**SPECIFICATION**

MODEL		TP-150A			TP-150B			TP-150C			TP-150D			
OUTPUT	OUTPUT NUMBER	CH1	CH2	CH3	CH1	CH2	CH3	CH1	CH2	CH3	CH1	CH2	CH3	
	DC VOLTAGE	5V	12V	-5V	5V	12V	-12V	5V	15V	-15V	5V	24V	12V	
	RATED CURRENT	15A	6A	0.6A	15A	5.5A	0.6A	15A	4.5A	0.6A	15A	3A	0.6A	
	CURRENT RANGE	2 ~ 20A	0.4 ~ 7A	0 ~ 1A	2 ~ 20A	0.4 ~ 7A	0 ~ 1A	2 ~ 20A	0.4 ~ 6A	0 ~ 1A	2 ~ 20A	0.4 ~ 4A	0 ~ 1A	
	RATED POWER	150W			148.2W			151.5W			154.2W			
	RIPPLE & NOISE (max.) Note.2	100mVp-p	120mVp-p	100mVp-p	100mVp-p	120mVp-p	100mVp-p	100mVp-p	150mVp-p	100mVp-p	100mVp-p	100mVp-p	150mVp-p	100mVp-p
	VOLTAGE ADJ. RANGE	CH1: 4.75 ~ 5.5V												
	VOLTAGE TOLERANCE Note.3	± 3.0%	± 8.0%	± 6.0%	± 3.0%	± 8.0%	± 6.0%	± 3.0%	+10,-6%	± 6.0%	± 3.0%	± 8.0%	± 6.0%	
	LINE REGULATION	± 1.0%	± 1.0%	± 1.0%	± 1.0%	± 1.0%	± 1.0%	± 1.0%	± 1.0%	± 1.0%	± 1.0%	± 1.0%	± 1.0%	
	LOAD REGULATION	± 3.0%	± 6.0%	± 4.0%	± 3.0%	± 6.0%	± 4.0%	± 3.0%	± 6.0%	± 4.0%	± 3.0%	± 6.0%	± 4.0%	
	SETUP, RISE TIME	800ms, 60ms/230VAC			2600ms, 60ms/115VAC at full load									
HOLD UP TIME (Typ.)	24ms/230VAC			24ms/115VAC at full load										
INPUT	VOLTAGE RANGE	90 ~ 264VAC		127 ~ 370VDC										
	FREQUENCY RANGE	47 ~ 63Hz												
	POWER FACTOR (Typ.)	PF>0.94/230VAC			PF>0.98/115VAC at full load									
	EFFICIENCY (Typ.)	75%			77%			77%			78%			
	AC CURRENT (Typ.)	2.5A/115VAC		1.2A/230VAC										
	INRUSH CURRENT (Typ.)	COLD START ≤40A/230V												
	LEAKAGE CURRENT	<3.5mA / 240VAC												
PROTECTION	OVERLOAD	105 ~ 150% rated output power Protection type : Hiccup mode, recovers automatically after fault condition is removed												
	OVER VOLTAGE	5.75 ~ 6.75V on +5V Protection type : Shut down o/p voltage, re-power on to recover												
	OVER TEMPERATURE(OPTION)	Shut down o/p voltage, recovers automatically after temperature goes down												
ENVIRONMENT	WORKING TEMP.	-10 ~ +60°C (Refer to "Derating Curve")												
	WORKING HUMIDITY	20 ~ 90% RH non-condensing												
	STORAGE TEMP., HUMIDITY	-20 ~ +85°C, 10 ~ 95% RH non-condensing												
	TEMP. COEFFICIENT	± 0.03%/°C (0 ~ 50°C)												
	VIBRATION	10 ~ 500Hz, 2G 10min./1cycle, 60min. each along X, Y, Z axes												
SAFETY & EMC (Note 4)	SAFETY STANDARDS	UL60950-1, TUV EN60950-1, EAC TP TC 004 approved												
	WITHSTAND VOLTAGE	I/P-O/P:3KVAC I/P-FG:2KVAC O/P-FG:0.5KVAC 1min.												
	ISOLATION RESISTANCE	I/P-O/P, I/P-FG, O/P-FG:100M Ohms / 500VDC / 25°C / 70% RH												
	EMC EMISSION	Compliance to EN55032 (CISPR32) Class B, EN61000-3-2,-3, EAC TP TC 020												
	EMC IMMUNITY	Compliance to EN61000-4-2,3,4,5,6,8,11, EN55024, light industry level, criteria A, EAC TP TC 020												
OTHERS	MTBF	161.6K hrs min. MIL-HDBK-217F (25°C)												
	DIMENSION	199*99*50mm (L*W*H)												
	PACKING	0.9Kg; 20pcs/19Kg/1.28CUFT												
NOTE	1. All parameters NOT specially mentioned are measured at 230VAC input, rated load and 25°C of ambient temperature. 2. Ripple & noise are measured at 20MHz of bandwidth by using a 12" twisted pair-wire terminated with a 0.1uf & 47uf parallel capacitor. 3. Tolerance : includes set up tolerance, line regulation and load regulation. 4. The power supply is considered a component which will be installed into a final equipment. All the EMC tests are been executed by mounting the unit on a 360mm*360mm metal plate with 1mm of thickness. The final equipment must be re-confirmed that it still meets EMC directives. For guidance on how to perform these EMC tests, please refer to "EMI testing of component power supplies." (as available on <a href="http://www.meanwell.com">http://www.meanwell.com</a> ) 5. The ambient temperature derating of 3.5°C/1000m with fanless models and of 5°C/1000m with fan models for operating altitude higher than 2000m(6500ft).													

**Mechanical Specification**

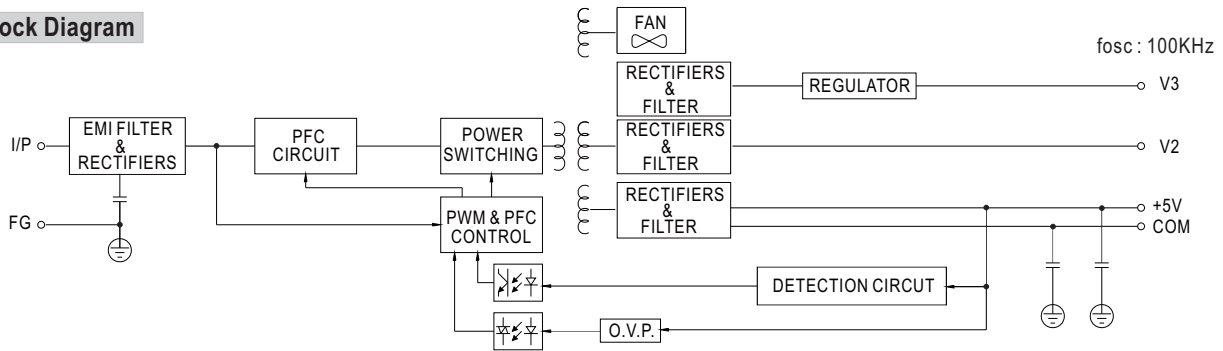
Case No. 916B Unit:mm



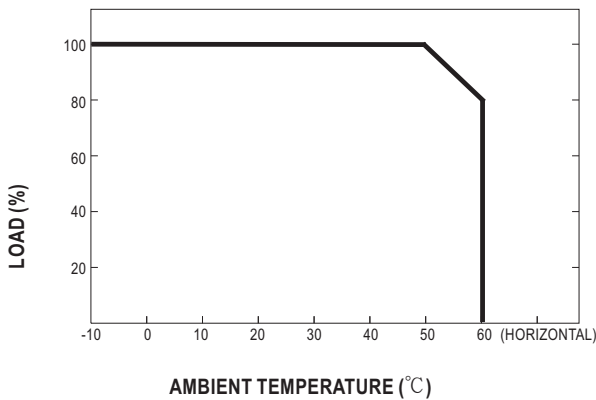
**Terminal Pin No. Assignment :**

Pin No.	Assignment	Pin No.	Assignment
1	AC/L	5	DC OUTPUT V2
2	AC/N	6,7	DC OUTPUT V1
3	FG $\perp$	8,9	DC OUTPUT COM
4	DC OUTPUT V3		

**Block Diagram**



**Derating Curve**



**Output Derating VS Input Voltage**

